

ICL-4003 Uninterruptible Power Supply

FEATURES

- 36 Watt DC Power Supply
- Regulated 14Vdc Power for Controllers, Radios, etc.
- 120Vac, 240Vac or 24Vdc Input Power
- -40°C to 80°C Operating Temperature Range
- DIN Rail or Direct Panel Mounting

The UPS Option adds...

- Battery Backup from 12 volt "Gel-Cell"
- 2-Stage Constant Current to Float Charger
- Regulated 24Vdc for Analog Loops
- Microprocessor Battery Test & Voltage Monitoring
- RS-232 port for Power Supply & Alarm Status
- Dual Alarm Contacts: Low Battery & Primary/Loop Power

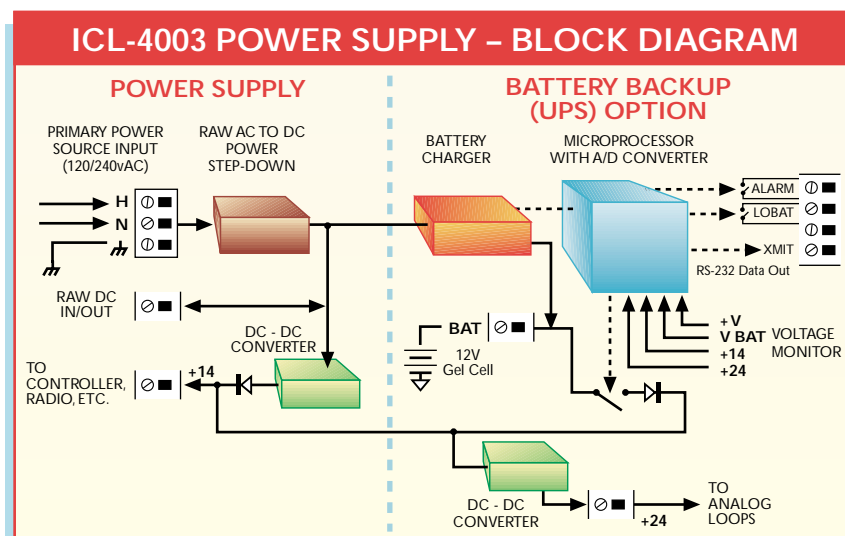


The **ICL-4003 Power Supply** provides 36 watts of unregulated and regulated power, and with the Uninterruptible Power Supply (UPS) option, battery backed power, for ICL "PC in a Brick" Controllers, "RTU in a Brick" Remote Telemetry Units, as well as radios, sensors and other DC powered control hardware.

Without the UPS option, the supply provides unregulated 24 volt and regulated 14 volt DC power. The regulated 14Vdc power is appropriate for most small telemetry radios and other "12 volt" battery compatible equipment in addition to the ICL controllers and RTUs.

With the UPS option, the regulated output is battery-backed when AC power is lost. An additional 24Vdc supply is also made available, with the UPS option, for battery-backed analog loop power. Backup power is provided by a separate "gel-cell" battery (purchased separately) that the UPS option charges and keeps charged with a 2-stage "float" charger.

The UPS option utilizes a microprocessor with communications capabilities to access internal power supply information including voltage levels, charging status, battery condition and alarm information via an RS-232 serial port. Alarm information is also available via a pair of alarm "contacts".



ICL-4003 Uninterruptible Power Supply

SPECIFICATIONS

DC Power Outputs:

Total DC Power *	36 watts (without UPS option), 33 watts (with UPS option)
DC Output #1	17 to 24Vdc @ 1.6Adc max.
DC Output #2	14Vdc @ 2.5Amps max.
DC Output #3	24Vdc @ 0.5A max. (available with UPS option only)

Input Power:

AC/DC Input Power	90 to 134 Vac, 1 amp max., 180 to 264 Vac, 0.5 amp max., 47Hz to 63Hz 17 to 28 Vdc, 2.5 amp max. (external fusing required)
-------------------	--

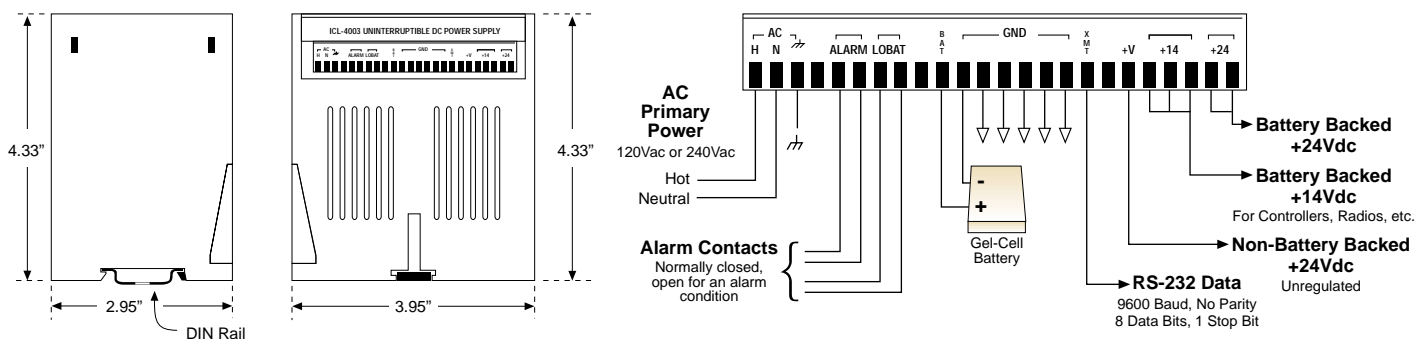
UPS Option

Charger type	2-stage float (constant current, then constant voltage float)
Charging current	Current limited to 0.15A
Battery Test Interval	Once per minute or once every 5 seconds, DIP switch selectable by user
Battery Protection	5A self-resetting fuse
Communications	RS-232, TXD (Transmit Data) only, 9600 baud, no parity, 8 data bits, 1 stop bit
Message data	DC input voltage, Battery Charging Voltage, Battery Voltage under load test +14 volt regulated output voltage, +24 volt regulated output voltage
Alarms (power fail, +24 current limit, low battery, battery cutoff status)	
Alarm Outputs	Qty 2, Alarm and Low Battery, optically isolated FET "contact closure" (NC)
Alarm Contact Rating	350Vrms, 0.1A maximum

General

Operating Temperature	-40°C to +80°C
Humidity	0 to 95%, non-condensing
Enclosure Material	Polycarbonate, UL 94 V-2
Enclosure Mounting	35mm DIN rail or Direct Panel Mounting w/2 #8 screws
Terminal Block Type	Removable, screw clamp terminals, 300v, 10A max., #22 to #14 AWG

* Total power draw summed between all DC outputs must not exceed this value:
Total DC Power = $(V_1 \times I_1) + (V_2 \times I_2) + [(V_3 \times I_3) \text{ if UPS option}]$



ORDERING INFORMATION

Model

ICL-4003
ICL-4003-UPS

Description

36 Watt Power Supply (no UPS Option)
36 Watt Uninterruptible Power Supply (with UPS Option)



Industrial Control Links 12840 Earhart Avenue Auburn, CA 95602
(530) 888-1800 (800) 888-1893 fax (530) 888-7017 www.iclinks.com

09/18/00 REVISION A PN60131001